

Landscape Lighting Transformers & Accessories



Download a Printable
PDF Of This Page

Direct Burial Transformers

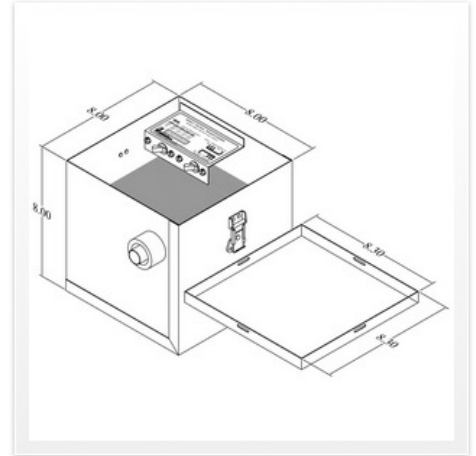
Install these units at the base of an up lighted tree or in a planter bed. Enclosures are 8" x 8" x 8" all stainless steel with seamless rubber sealed cover. Transformers are fully encapsulated and circuit breaker protected. Output taps from 12 to 14 volts and liquid-tight conduit connectors are provided. Made in U.S.A.

IG300X

Description: 120 to 12, 13,14V, 300W Single Circuit Stainless Steel Enclosure Includes Input and Output Conduit Connectors, Liquid Tight

IG600X

Description: 120 to 12, 13,14V, 600W Dual Circuit Stainless Steel Enclosure Includes Input and Output Conduit Connector, Liquid Tight



Accessories For Professional Installation

- › Plug-In Timer (TI708)
- › Photocell Kit (PCK1000)
- › Photocell, Field Install (K4221)
- › Snubber, 120V In-rush Protection
- › Remote Photocell Module (PCM12)
- › Custom Electrical Enclosures NEMA 3R Rainproof. UL Listed (Link to UL Certification)



Plug-In Timer (TI708)



Photocell Kit (PCK1000)



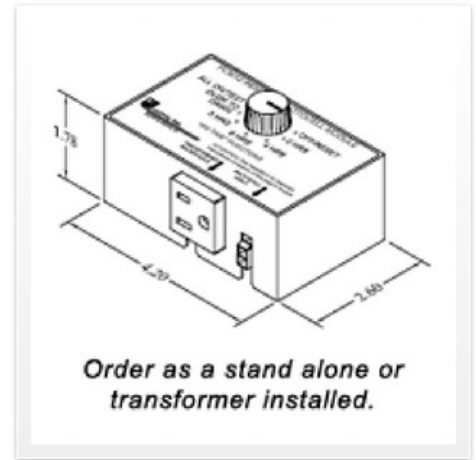
Photocell, Field Install (K4221)



Snubber, 120V In-rush Protection

Landscape Lighting Transformers & Accessories

Remote Photocell Module Model PCM-12



Specifications and Ordering Information

Low Voltage Landscape Lighting Transformer Accessories

MODEL NUMBER	DESCRIPTION
24 HOUR TIMER, PLUG-IN	
T1708	Plug-In Timer Switch, 120V @ 15A
PHOTOCELLS	
PCM12	A plug-in 120 volt switch module controlled by a computerized timing circuit and a remote low voltage photocell eye. Stand alone or transformer installed.
K4221 Photocell	120 Volt, 1000 Watt Outdoor, Field Installed With Wire leads
PCK1000 Photocell Kit	120 Volt, 1000 Watt Outdoor, Field Installed Includes 'Plug and Go' Leads with Connectors For Units without Line Voltage Terminal Block
LAMP SAVER	
LS50	50 Watt Low Voltage Adjuster, Direct Burial Increases Lamp Life by Lowering Voltage at Fixture
POWER HUB	
PH 100	Low Voltage Cable Field Connection Kit, Direct Burial. 100 AMP
LOW VOLTAGE DIMMERS	
LVD1000I	120 Volt, 1000 Watt Low Voltage Dimmer Indoor Wall Mount
LVD1000K	120 Volt, 1000 Watt Low Voltage Dimmer Kit, Includes Rain tight Enclosure and Field, Installed 'Plug and Go' Wiring

Models and Specifications Subject to Change Without Notice