

Landscape Lighting Transformer, Garden Light GL



Download a Printable
PDF Of This Page

These Stainless Steel units have extra large low voltage output terminals and flip down wiring compartment access

- › Enclosed Wiring Terminals and Low Voltage Taps of 12 and 15 Volts
- › 100 and 200 Watts
- › Timer, Photocell, Remote Photocell Option

GL - Garden Light Series

A landscape lighting transformer with **two voltage outputs**. 12 and 15 volt taps are provided in 100 and 200 watt sizes. The 15V tap is provided to help reduce voltage drop and increase lamp brilliance.

The stainless steel enclosure is rain-tight indoor/outdoor with removable cover. The cover provides access to plug and go accessories and all wiring. Both units include side wiring access through two 1/2" and 3/4" double knockouts, and one 1-1/4" and 1-1/2" double EKO on a swing down bottom, with an attached 6' line cord.

Features include provision for a plug-in mechanical timer, plug-in electronic remote photocell and field installed photocell option.

GL Transformer Features:

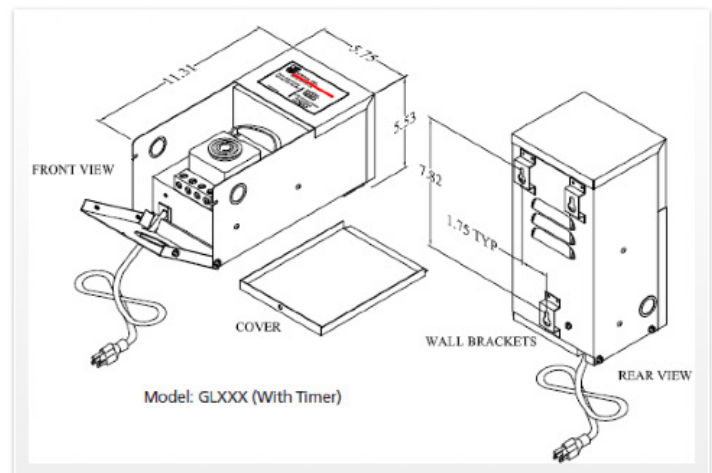
- › 100 and 200 Watt Single Circuit output.
- › NEMA style rain-tight keyhole mount enclosure, type 304 stainless steel construction.
- › Wiring compartment with input and output terminals
- › Complete wiring instructions
- › Timer-ready, 24-hour removable
- › Field installed or remote photocell option
- › 6' outdoor line cord
- › Low voltage circuit breaker.
- › **UL Listed using Standard for Safety UL1838 (Link to UL Certification)**
- › cUL approved for Canada
- › Limited lifetime warranty
- › Made in USA. Full compliance with the Buy American provision of the American Recovery and Reinvestment Act of 2009 (ARRA)

ALL STAINLESS STEEL ENCLOSURE

GL100 - GL200

DIMENSIONS

11.31"H x 5.75"W x 5.53"D



[Download PDF Installation & Operators Guide](#)



Justin, Inc.
2663 N. Lee Avenue
South El Monte, CA 91733
www.justininc.com

Toll Free: 800.989.4517
Phone: 626.444.4516
Fax: 626.444.9462
Email: info@justininc.com

Landscape Lighting Transformer, Garden Light GL

Specifications and Ordering Information

Garden Light Series Landscape Lighting Transformers

MODEL NUMBER	DESCRIPTION
WITHOUT TIMER	
GL100	12 and 15 Volt, 100 Watt, Single Circuit
GL200	12 and 15 Volt, 200 Watt, Single Circuit
ACCESSORIES	
T1708	Plug-In Timer, 120V
K4221	Field Installed Photocell, 120V
PCK1000	Plug-In Photocell Kit, 120V
PCM12	Remote Photocell Module with 20' Cord, 120V

Models and Specifications Subject to Change Without Notice