

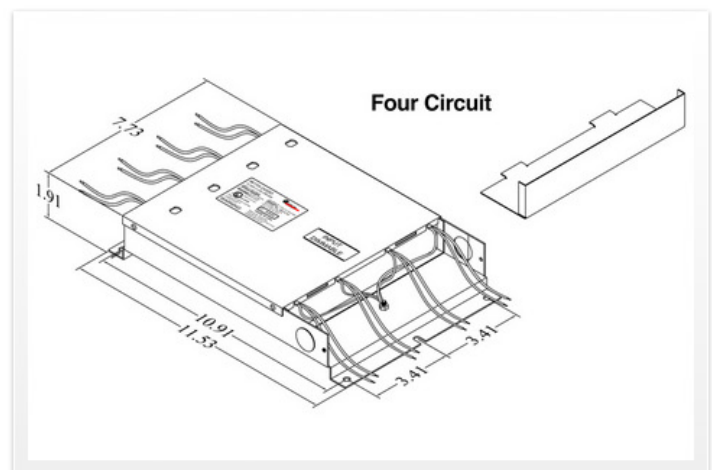
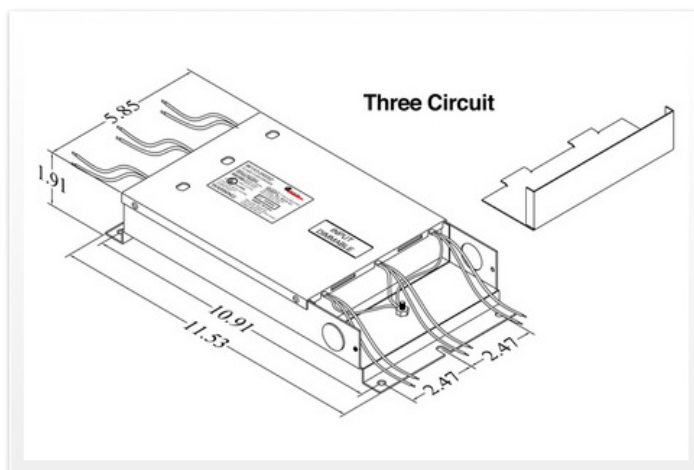
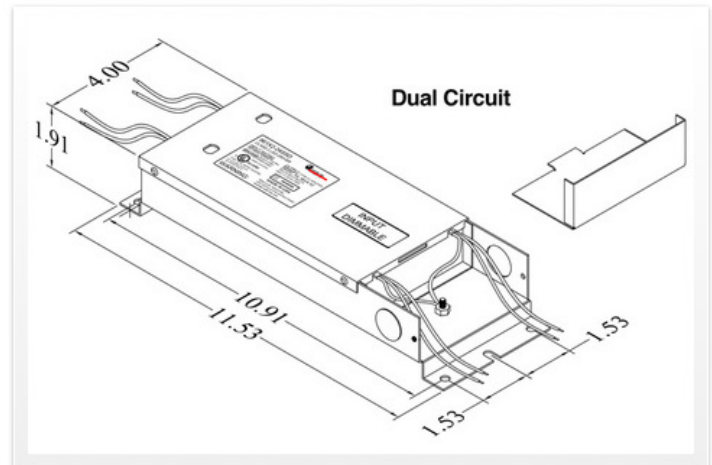
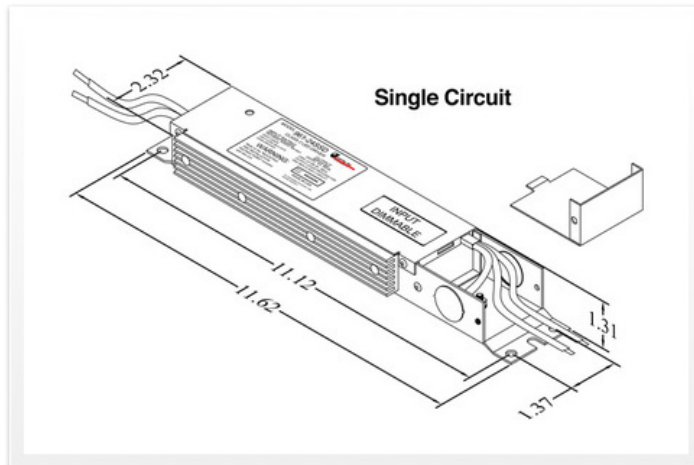
## LED Driver, Class 2 Solid State SSD



Download a Printable  
 PDF Of This Page

**Class 2 Solid State LED Drivers from Justin designed specifically for architectural, signage and display applications.**

- Input dimmable - constant voltage output
- Compact size yet high efficiency and performance in dry and damp environments - IP 67 rated
- 12 or 24 Volt DC output
- Multiple Inputs: 120/240-277
- Class 1 conduit wiring compartment
- All units are dimmable: ELV Dimmers-Reverse or Adaptive Phase Control, Trailing Edge
- Visual LED indicator for inherent over current, short circuit and temperature protection
- 5 year warranty. UL Listed Class 2, UL8750/CSA approved. (File 471431) ([Link to UL Certification](#))
- Made in the USA.



## LED Driver, Class 2 Solid State SSD

### Specifications and Ordering Information

#### SSD – Solid State Dimmable LED Drivers, UL Listed, File E471431

MODEL	INPUT			OUTPUT 1		OUTPUT 2		OUTPUT 3		OUTPUT 4		TOTAL
	VAC	HZ	A	VDC	VA	VDC	VA	VDC	VA	VDC	VA	VA
361-12SSD	120	60	0.33	12	36							36
362-12SSD	240/277	60	0.16	12	36							36
361X2-12SSD	120	60	0.66	12	36	12	36					72
362X2-12SSD	240/277	60	0.33	12	36	12	36					72
361X3-12SSD	120	60	1.00	12	36	12	36	12	36			108
362X3-12SSD	240/277	60	0.50	12	36	12	36	12	36			108
361X4-12SSD	120	60	1.30	12	36	12	36	12	36	12	36	144
362X4-12SSD	240/277	60	0.66	12	36	12	36	12	36	12	36	144
481-24SSD	120	60	0.44	24	48							48
482-24SSD	240/277	60	0.22	24	48							48
481X2-24SSD	120	60	0.88	24	48	24	48					96
482X2-24SSD	240/277	60	0.44	24	48	24	48					96
481X3-24SSD	120	60	1.30	24	48	24	48	24	48			144
482X3-24SSD	240/277	60	0.66	24	48	24	48	24	48			144
481X4-24SSD	120	60	1.70	24	48	24	48	24	48	24	48	192
482X4-24SSD	240/277	60	0.88	24	48	24	48	24	48	24	48	192
601-12SSD	120	60	0.55	12	60							60
602-12SSD	240/277	60	0.27	12	60							60
601X2-12SSD	120	60	1.10	12	60	12	60					120
602X2-12SSD	240/277	60	0.55	12	60	12	60					120
601X3-12SSD	120	60	1.60	12	60	12	60	12	60			180
602X3-12SSD	240/277	60	0.82	12	60	12	60	12	60			180
601X4-12SSD	120	60	2.20	12	60	12	60	12	60	12	60	240
602X4-12SSD	240/277	60	1.10	12	60	12	60	12	60	12	60	240
961-24SSD	120	60	0.88	24	96							96
962-24SSD	240/277	60	0.44	24	96							96
961X2-24SSD	120	60	1.70	24	96	24	96					192
962X2-24SSD	240/277	60	0.88	24	96	24	96					192
961X3-24SSD	120	60	2.60	24	96	24	96	24	96			288
962X3-24SSD	240/277	60	1.30	24	96	24	96	24	96			288
961X4-24SSD	120	60	3.00	24	84	24	84	24	84	24	84	336
962X4-24SSD	240/277	60	1.54	24	84	24	84	24	84	24	84	336

## LED Driver, Class 2 Solid State SSD

### Specifications: SSD – Solid State Dimmable LED Drivers, UL Listed, File E471431

#### The following applies to all models

#### INPUT

VOLTAGE AND FREQUENCY RANGE	90–130VAC, 60Hz or 200–277VAC, 50/60Hz
AC CURRENT	Single circuit 96W – .88A @ 120VAC, .44A @ 240VAC
INRUSH CURRENT (Typ.)	Less than 1A at 120 or 240V input
LEAKAGE CURRENT	<1mA at 240VAC
PHASE CONTROL	Output voltage PWM duty cycle calculated by microprocessor using phase controlled AC input for output dimming. No (0-10V) control wire needed (ELV type phase control dimmer only)

#### OUTPUT

VOLTAGE ADJUST RANGE	12V-10.8–13.2V or 24V-15.4–27.2 @ 50% load current
VOLTAGE TOLERANCE	+/-3%
SETUP, RISE TIME	250mS maximum @ 50% load current
EFFICIENCY (Typ.)	80–85%

#### PROTECTION

CURRENT TOLERANCE	+/-5% maximum
OVER CURRENT	CONSTANT POWER <120% rated current down to 70% output voltage
SHORT CIRCUIT	Output shut down, automatic restart
OVER VOLTAGE	Output voltage shall NOT exceed 150% of maximum rated voltage
OVER TEMPERATURE	Output limiting internal NTC over temperature protection circuit

#### ENVIRONMENT

WORKING TEMP.	Nominal -20 to +50C ambient at full load, linearly derate to 60% of output rating up to 80C
WORKING HUMIDITY	5% to 100%, non-condensing
INGRESS PROTECTION	Damp location, IP67, temporary immersion up to 1 meter
STORAGE TEMP., HUMIDITY	-40 to 80C, 5% to 95% RH
TEMP COEFFICIENT	0.1% per degree C maximum
VIBRATION	Frequency 5 to 50HZ acceleration $\pm 7.35$ M/(S*S), direction X,Y and Z Axis

#### SAFETY & EMC

SAFETY STANDARDS	UL Listed, CSA Approved Class 2, Type TL/HL 85/70C (UL8750) Output Type CC Isolated
WITHSTAND VOLTAGE	I/P-O/P:3.75KVAC I/P-FG:1.5KVAC O/P-FG:0.5KVAC
ISOLATION RESISTANCE	I/P-O/P, I/P-FG, O/P-FG:100M Ohms / 500VDC / 25C / 70% RH
EMI CONDUCTION & RADIATION	Meet FCC Part 15 Class B, CISPR22 Class B
HARMONIC CURRENT	Compliance to EN61000-3-2 Class A ; EN61000-3-3
EMS IMMUNITY	Compliance to EN61000-4-2,3,4,5,6,8,11.

#### OTHER

MTBF	>100K hours, MIL-HDBK217E at 25C ambient.
------	---

#### NOTES

1. All parameters NOT specified otherwise are measured at 240VAC, 60HZ input, rated load and 25C ambient temperature.
2. Ripple & noise are measured at 20MHz of bandwidth by using a 12" twisted-pair wire terminated with 0.1uf & 47uf parallel capacitor.

Models and Specifications Subject to Change Without Notice