

Landscape Lighting Transformer, Bluetooth Control JSST

These Stainless Steel units have extra large low voltage output terminals and flip down wiring compartment access

- › Available Power Rating: 75 – 300 Watts
- › Primary Voltage: 120 Volts. Also available in 240V, 50 or 60 cycle (special order only)
- › Secondary Voltage: Full range remote dimming control included, user selected 12 or 15 Volts. Solid State Power supply.
- › Downloadable app allows control by any Bluetooth enabled device
- › Astronomic daily, weekly programming with multiple on/off and dimming

Download the JSST Transformer Quick Start Guide

JSST – SOLID STATE TRANSFORMER

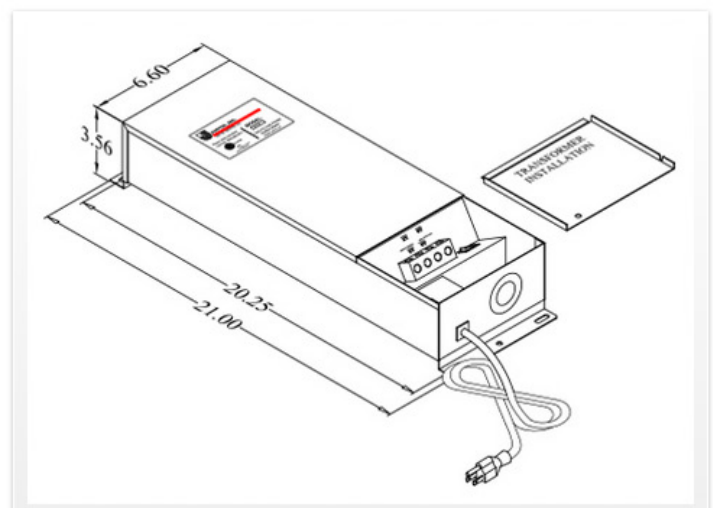
A landscape lighting transformer with **infinite AC voltage outputs up to 15V**. Terminals are provided in 75 through 300 watt sizes.

The stainless steel enclosure is rain-tight indoor/outdoor with removable cover. Units include side and bottom wiring access through two 1/2" and 3/4" double knockouts, and one 1-1/4" and 1-1/2" double EKO on a swing down bottom, with a removable 6' line cord.

JSST Transformer Features:

- › 75 to 150 Watt Single and Dual Circuit output.
- › NEMA style rain-tight flange mount enclosure, type 304 stainless steel construction.
- › Wiring compartment with input and output terminals
- › Complete wiring instructions
- › 6' outdoor line cord
- › **UL Listed using Standard for Safety UL1838 (Link to UL Certification)**
- › cUL approved for Canada
- › Limited lifetime warranty
- › Made in USA. Full compliance with the Buy American provision of the American Recovery and Reinvestment Act of 2009 (ARRA)

ALL STAINLESS STEEL ENCLOSURE	DIMENSIONS
JSST	21"H x 6.63"W x 3.5"D



Landscape Lighting Transformer, Bluetooth Control JSST

Specifications and Ordering Information

Bluetooth JSST Transformer

MODEL	DESCRIPTION	ENCLOSURE
SST751-RC 120 to 0-15VAC	75 watt, single circuit	Stainless Steel, Mill Finish
SST151-RC 120 to 0-15VAC	150 watt, single circuit	Stainless Steel, Mill Finish
SST752-RC 120 to 0-15VAC	75 x 2 – 150 watt, dual 75 watt circuits	Stainless Steel, Mill Finish
SST152-RC 120 to 0-15VAC	150 x 2 – 300 watt, dual 150 watt circuits	Stainless Steel, Mill Finish

Landscape Lighting Transformer, Bluetooth Control JSST

Specifications: JSST Solid State Landscape Lighting Transformer and Control

The following applies to all models

INPUT

VOLTAGE AND FREQUENCY RANGE	90-126VAC, 60HZ or 200-240VAC, 50-60Hz (optional)
AC CURRENT	.72A at 75W, 1.37A at 150W, 2.7A at 300W, 120VAC input
POWER FACTOR	>0.9 at full load output. 0.95 typical
INRUSH CURRENT (Typ.)	<30A at 115V and <15A at 230V input
LEAKAGE CURRENT	<1mA at 240VAC

OUTPUT

OUTPUT VOLTAGE	12VAC-15VAC
OUTPUT AMPS	21A
MAXIMUM WATTAGE	250W per circuit
VOLTAGE TOLERANCE	+/-3%
VOLTAGE ADJUST RANGE	0-15VAC
CURRENT TOLERANCE	+/-5% maximum
SETUP, RISE TIME	5 Sec MAX
EFFICIENCY (Typ.)	80-85%

PROTECTION

INPUT SPIKE PROTECTION	220V max instantaneous reacting MOV device, 120VAC input model
OVER CURRENT	CONSTANT POWER <120% rated current down to 70% output voltage
SHORT CIRCUIT	Output shall shut down and automatically restart
OVER VOLTAGE	Output Voltage shall NOT exceed 150% of max rated voltage
OTP (over temperature)	Output limiting internal NTC over temperature protection circuit

ENVIRONMENT

INDOOR/OUTDOOR ENCLOSURE	NEMA 3R rainproof
WORKING TEMP.	nominal -20 to +50 C ambient at full load, linearly derate to 60% of output rating up to 80C
WORKING HUMIDITY	5% to 100%, non-condensing
STORAGE TEMP., HUMIDITY	-40 to 80 C, 5% to 95%RH
TEMP. COEFFICIENT	0.1% per degree C maximum
VIBRATION	Frequency 5 to 50 Hz, acceleration ± 7.35 M/(S*S), direction X,Y and Z Axis

SAFETY & EMC

SAFETY STANDARDS	UL Listed, Standard for Safety UL1838, Low Voltage Landscape Lighting Systems. Canadian Standards T.I.L. B-58B.
WITHSTAND VOLTAGE	I/P-O/P:3.75KVAC I/P-FG:1.5KVAC O/P-FG:0.5KVAC
ISOLATION RESISTANCE	I/P-O/P, I/P-FG, O/P-FG:100M Ohms / 500VDC / 25C / 70% RH
EMI CONDUCTION & RADIATION	Meet FCC Part 15 Class B, CISPR22 Class B
HARMONIC CURRENT	Compliance to EN61000-3-2 Class A ; EN61000-3-3
EMS IMMUNITY	Compliance to EN61000-4-2,3,4,5,6,8,11.

DIMMING CONTROL

Multi-channel Bluetooth 4.0 RF interface control via IOS, Andriod device and proprietary software application. Integrated 0-255 digital potentiometer voltage control coupled with solid state output circuit. Non-volatile output level memory.

TIMING CONTROL

32.768khz crystal regulated on/off/dim timing, astronomically adjusted via device location. Individual daily, weekly app controlled programming. Internal battery backup.

OTHER

MTBF	>100K hours, MIL-HDBK217E at 25 degrees C ambient
------	---

NOTES

1. All parameters NOT specially mentioned are measured at 230VAC input, rated load and 25 of ambient temperature.
2. Ripple & noise are measured at 20MHz of bandwidth by using a 12" twisted pair-wire terminated with a 0.1uf & 47uf parallel capacitor.