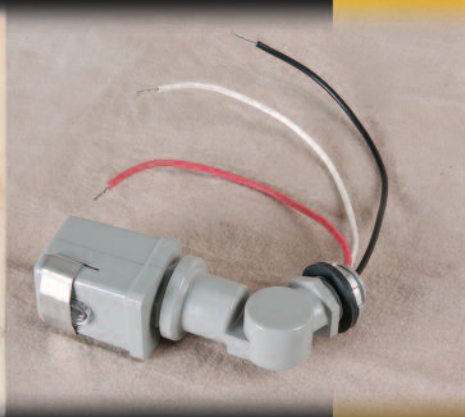
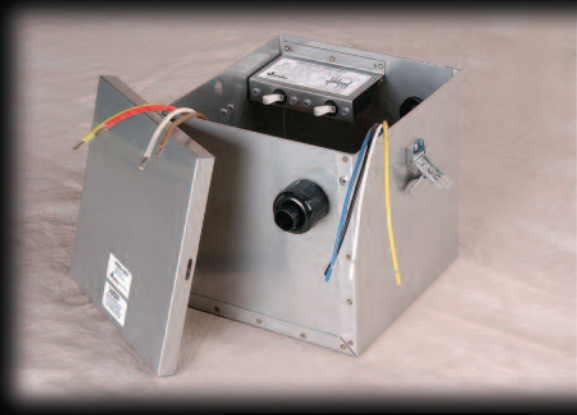


LANDSCAPE LIGHTING TRANSFORMER ACCESSORIES



ACCESSORIES FOR PROFESSIONAL INSTALLATION

- ◀ In-Ground Transformers
- ◀ Plug-In Timer
- ◀ Photocell Kit
- ◀ Lamp Saver Voltage Controller
- ◀ Power Hub Low Voltage Connector
- ◀ Remote Photocell Module



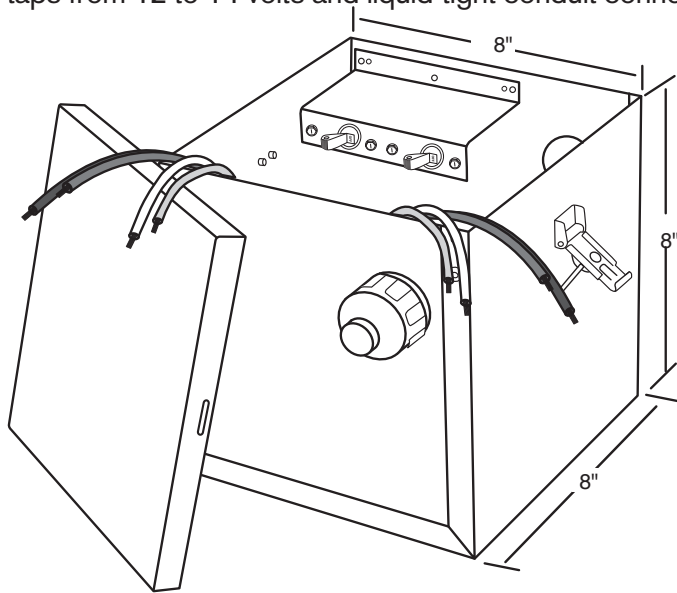
JUSTIN, INC.

ELECTRONIC PRODUCTS DIVISION
2663 No. Lee Avenue
South El Monte, CA 91733
626 444-4516 • Fax 626 444-9462
www.justininc.com

IN-GROUND TRANSFORMERS

DIRECT BURIAL TRANSFORMERS

Install these units at the base of an up lighted tree or in a planter bed. Enclosures are 8"x 8"x 8" all stainless steel with seamless rubber sealed cover. Transformers are fully encapsulated and circuit breaker protected. Output taps from 12 to 14 volts and liquid-tight conduit connectors are provided. Made in U.S.A.



MODEL NUMBER	DIMENSIONS
IG 300X	8"H x 8"W x 8"D
IG 600X	8"H x 8"W x 8"D

SPECIFICATIONS AND ORDERING INFORMATION - DIRECT BURIAL TRANSFORMERS

MODEL NUMBER	DESCRIPTION
DIRECT BURIAL TRANSFORMERS	
IG300X	120 to 12, 13,14V, 300W Single Circuit Stainless Steel Enclosure Includes Input and Output Conduit Connectors, Liquid Tight
IG600X	120 to 12, 13,14V, 600W Dual Circuit Stainless Steel Enclosure Includes Input and Output Conduit Connectors, Liquid Tight

SPECIFICATIONS AND ORDERING INFORMATION - TRANSFORMER ACCESSORIES

MODEL NUMBER	DESCRIPTION
24 HOUR TIMER, PLUG-IN	
T1708	Plug-In Timer Switch, 120V @ 15A
PHOTOCELLS	
PCM12	A plug-in 120 volt switch module controlled by a computerized timing circuit and a remote low voltage photocell eye. Stand alone or transformer installed.
K4221 Photocell	120 Volt, 1000 Watt Outdoor, Field Installed With Wire leads
PCK1000 Photocell Kit	120 Volt, 1000 Watt Outdoor, Field Installed Includes 'Plug and Go' Leads with Connectors For Units without Line Voltage Terminal Block
LAMP SAVER	
LS50	50 Watt Low Voltage Adjuster, Direct Burial. Increases Lamp Life by Lowering Voltage at Fixture
POWER HUB	
PH 100	Low Voltage Cable Field Connection Kit, Direct Burial. 100 AMP
LOW VOLTAGE DIMMERS	
LVD1000I	120 Volt, 1000 Watt Low Voltage Dimmer Indoor Wall Mount
LVD1000K	120 Volt, 1000 Watt Low Voltage Dimmer Kit Includes Rain tight Enclosure and Field Installed 'Plug and Go' Wiring