

# CLASS 2 DC POWER SUPPLIES

**UL LISTED CLASS 2 POWER SOURCE**

**36 THROUGH 288 WATT MODELS  
12 AND 24 VOLT DC Output**



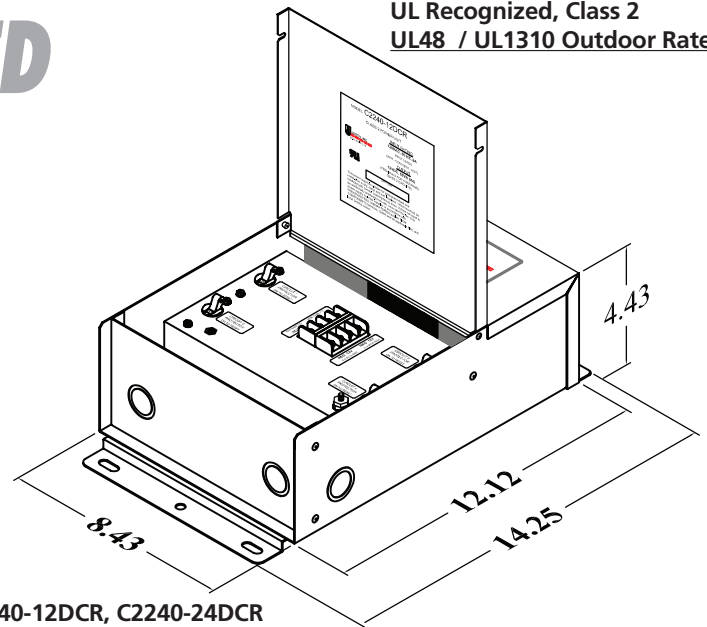
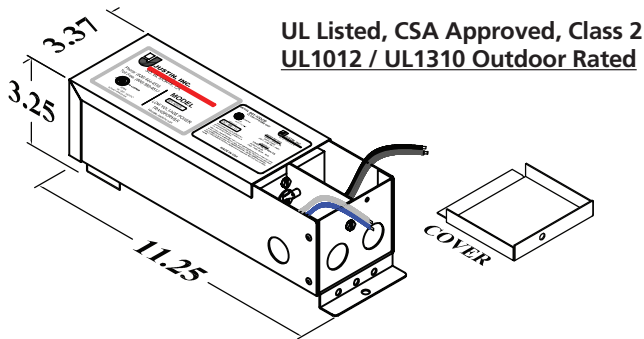
- ◀ Indoor/Outdoor Enclosure, Conduit Ready
- ◀ Magnetic Dimmer Ready, Input / Dimmable
- ◀ Manual Reset Overload Protection
- ◀ Made in USA
- ◀ Multiple Inputs 120, 240, 277V, 50/60Hz
- ◀ UL Listed / UL Recognized
- ◀ Reliable Power Source for LED Lighting Applications
- ◀ CSA Approved

 **JUSTIN, INC.**

**ELECTRONIC PRODUCTS DIVISION**  
2663 No. Lee Avenue  
South El Monte, CA 91733  
626 444-4516 • Fax 626 444-9462  
[www.justininc.com](http://www.justininc.com)

# CLASS 2 DC REGULATED POWER SUPPLIES

UL Recognized, Class 2  
UL48 / UL1310 Outdoor Rated



Model: 361-12DCR, 481-24DCR,  
601-12DCR, 961-24DCR

Model: C2240-12DCR, C2240-24DCR

## SPECIFICATIONS AND ORDERING INFORMATION - SINGLE CIRCUIT

**DIMMABLE**

INDOOR/OUTDOOR ENCLOSURE, UL LISTED, FILE E471431, CSA APPROVED, MANUAL RESET OVERLOAD PROTECTION

Model	VAC	Hz	Input AMPS (Max.)	VDC	Output AMPS (Max.)	WATTS
361-12DCR	120	50/60	0.58	12VDC	3A	36
362-12DCR-240	240	50/60	0.28	12VDC	3A	36
363-12DCR-277	277	50/60	0.24	12VDC	3A	36
481-24DCR	120	50/60	0.63	24VDC	2A	48
482-24DCR-240	240	50/60	0.33	24VDC	2A	48
483-24DCR-277	277	50/60	0.28	24VDC	2A	48
601-12DCR	120	50/60	0.81	12VDC	5A	60
602-12DCR-240	240	50/60	0.41	12VDC	5A	60
603-12DCR-277	277	50/60	0.38	12VDC	5A	60
961-24DCR	120	50/60	1.12	24VDC	4A	96
962-24DCR-240	240	50/60	0.57	24VDC	4A	96
963-24DCR-277	277	50/60	0.50	24VDC	4A	96

## SPECIFICATIONS AND ORDERING INFORMATION - MULTIPLE CIRCUIT

**DIMMABLE**

INDOOR / OUTDOOR ENCLOSURE, UL RECOGNIZED, FILE E235322, MANUAL RESET OVERLOAD PROTECTION

Model	VAC	Hz	Input AMPS (Max.)	VDC	Output AMPS (Max.)	WATTS
C2240-12DCR	120	50/60	2.2	12VDC	5A Per Circuit 4 x 60VA Class 2 Circuits	240
C2240-24DCR	120	50/60	2.5	24VDC	4A Per Circuit 3 x 96VA Class 2 Circuits	288

Above units available in 240 or 277V inputs. Order "-240" or "-277". Important - Do not interconnect output circuits

## INDIVIDUAL CIRCUIT DC POWER SUPPLY SPECIFICATIONS

Description	24V Model Value	12V Model Value	Unit	Details	Unit
Input Voltage	120 / 240 / 277	120 / 240 / 277	Volts AC, 1 AMP Max.	Load Regulation	2% Volts
Output Voltage	24.0 +/-0.3	12.0 +/-0.3	Volts DC	Line Regulation	5% Volts
Output Current	2A, 48W/4A, 96W	3A, 36W/5A, 60W	Amps	Input Frequency	50-60 Hertz
Current Limit	2.5/4.5 +/-0.25	3.5/5.5 +/-0.25	Amps	Power Factor	.85 Typical
<b>APPROVALS</b> - UL Listed, Class 2 Power Supplies, UL1012 UL1310, UL48 Recognized Sign Accessories. <b>CONSTRUCTION</b> - Indoor/Outdoor Type 3R Enclosure <b>WALL MOUNTING</b> - Conduit Access Wiring Compartment <b>3 Year Limited Warranty</b>	Efficiency	80 Typical	%	MTBF	100,000 1 Hours
	Operating Environment (AMB)	Minus 30 to +60	Deg "C"	Function Surface Temp. (25 C AMB)	-40 to +80 Deg "C"
	Storage Temp.	Minus 65 to +90	Deg "C"	Humidity	100 (Non Cond) %
	Size	11.25x 3.37 x 3.25	Inches	Shipping Weight	7.0 Pounds

Compatible with forward phase dimmers designed specifically for magnetic or inductive circuits.

## ELECTRONIC PRODUCTS DIVISION

2663 No. Lee Avenue  
 South El Monte, CA 91733  
 626 444-4516 • Fax 626 444-9462  
 www.justininc.com

