

CLASS 2 DC POWER SUPPLIES

UL RECOGNIZED/LISTED CLASS 2 POWER SOURCE

36 THROUGH 300 WATT MODELS
12 AND 24 VOLT DC Output

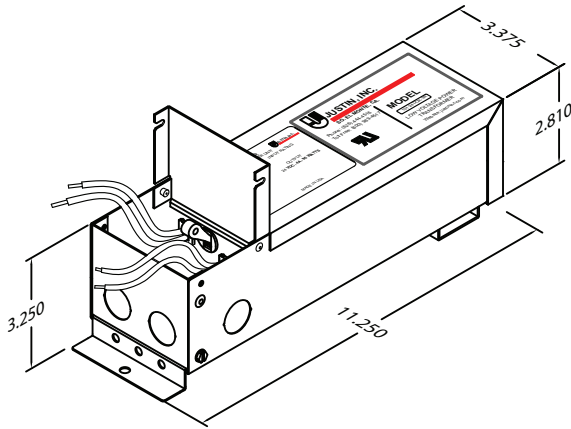


- ◀ Indoor/Outdoor Enclosure, Conduit Ready
- ◀ Manual Reset Overload Protection
- ◀ Multiple Inputs 120, 240, 277V, 50/60Hz
- ◀ Reliable Power Source for LED Lighting Applications
- ◀ Magnetic Dimmer Ready, Input / Output Dimmable
- ◀ Made in USA

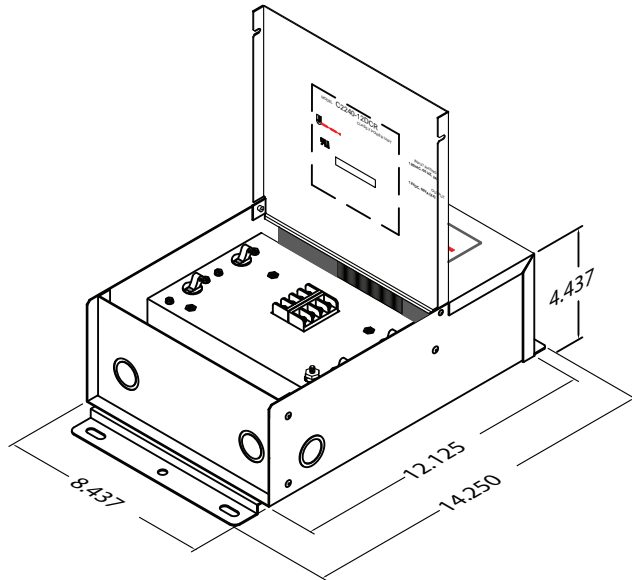
 **JUSTIN, INC.**

ELECTRONIC PRODUCTS DIVISION
2663 No. Lee Avenue
South El Monte, CA 91733
626 444-4516 • Fax 626 444-9462
www.justininc.com

CLASS 2 DC REGULATED POWER SUPPLIES



Model: 401-12DCR, 601-12DCR, 101-24DCR



Model: C2240-12DCR, C2240-24DCR

SINGLE CIRCUIT DC POWER SUPPLY SPECIFICATIONS

Description	24V Model Value	12V Model Value	Unit	Details	Unit
Input Voltage	120 / 240 / 277	120 / 240 / 277	Volts AC, 1 AMP Max.	Load Regulation	0.1 Tol Volts
Output Voltage	24.0 +/-0.3	12.0 +/-0.3	Volts DC	Line Regulation	0.1 Tol Volts
Output Current	2A, 48W/4A, 96W	3A, 36W/5A, 60W	Amps	Input Frequency	50-60 Hertz
Current Limit	2.5/4.5 +/-0.25	3.5/5.5 +/-0.25	Amps	Efficiency	70 Typical %
APPROVALS - UL Recognized/Listed, Class 2 Power Supplies UL1310, UL48 Recognized Sign Accessories. CONSTRUCTION - Indoor/Outdoor WALL MOUNTING - Conduit Access Wiring Compartment 3 Year Limited Warranty				MTBF	100,000 1 Hours
				Operating Environment (AMB)	Minus 30 to +60 Deg "C"
				Function Surface Temp. (25 C AMB)	-40 to +80 Deg "C"
				Storage Temp.	Minus 65 to +90 Deg "C"
				Humidity	100 (Non Cond) %
				Size	11.25x 3.37 x 3.25 Inches
				Shipping Weight	7.0 Pounds

Specifications apply to each circuit on multiple circuit models.

SPECIFICATIONS AND ORDERING INFORMATION - SINGLE CIRCUIT

Model Number	Description	DIMMABLE
INDOOR/OUTDOOR WHITE ENCLOSURE, UL RECOGNIZED/LISTED		
401-12DCR	120 to 12VDC, 3A, 36 Watt, Manual Reset Overload Protection Indoor/Outdoor Enclosure, Input Cord Optional	
401-24DCR	120 to 24VDC, 2A, 48 Watt, Manual Reset Overload Protection Indoor/Outdoor Enclosure, Input Cord Optional	
601-12DCR	120 to 12VDC, 5A, 60 Watt, Manual Reset Overload Protection Indoor/Outdoor Enclosure, Input Cord Optional	
101-24DCR	120 to 24VDC, 4A, 100 Watt, Manual Reset Overload Protection Indoor/Outdoor Enclosure, Input Cord Optional	
INPUT CORD ATTACHED WITH INDOOR / OUTDOOR WHITE ENCLOSURE, UL RECOGNIZED / LISTED		
401-12DCR-LC	120VAC to 12VDC, 3A, 36 Watt, Manual Reset Overload Protection	
401-24DCR-LC	120VAC to 24VDC, 2A, 48 Watt, Manual Reset Overload Protection	
601-12DCR-LC	120VAC to 12VDC, 5A, 60 Watt, Manual Reset Overload Protection	
101-24DCR-LC	120VAC to 24VDC, 4A, 100 Watt, Manual Reset Overload Protection	

SPECIFICATIONS AND ORDERING INFORMATION - MULTIPLE CIRCUIT

Model Number	Description	Dimensions and Weight
C2240-12DCR	120 to 12 VDC, 240 VA, 4 X 60 VA Class 2 Circuits, Indoor/Outdoor Enclosure	Height: 14.25 Depth: 4.5
C2240-24DCR	120 to 24 VDC, 300 VA, 3 X 100 VA Class 2 Circuits, Indoor/Outdoor Enclosure	Width: 8.5 Weight: 20

All units available in 240 or 277V Inputs. Order "-240" or "-277", Manual Reset Overload Protection for each Class 2 Circuit



ELECTRONIC PRODUCTS DIVISION

2663 No. Lee Avenue
 South El Monte, CA 91733
 626 444-4516 • Fax 626 444-9462
 www.justininc.com