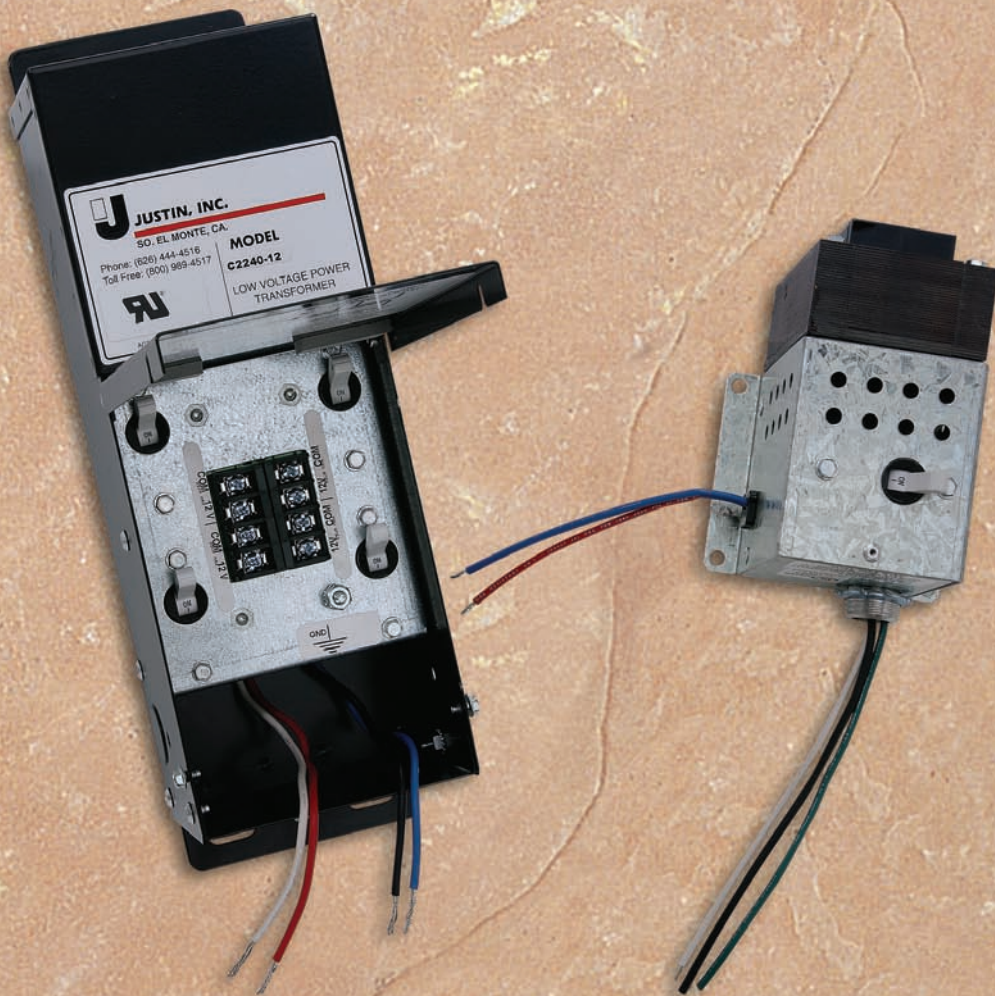


# CLASS 2 AC TRANSFORMERS

**UL LISTED CLASS 2 POWER SOURCE**



- ◀ Core And Coil - Split Bobbin Isolation, VDE Design
- ◀ Fusing - Circuit Protector, Manual Reset Overload Protection
- ◀ Multiple Class 2 Circuits
- ◀ Magnetic Dimmer Ready, Input/Output Dimmable
- ◀ Made in USA

**60 THROUGH 240 WATT MODELS**  
**12 AND 24 VOLT AC Output**

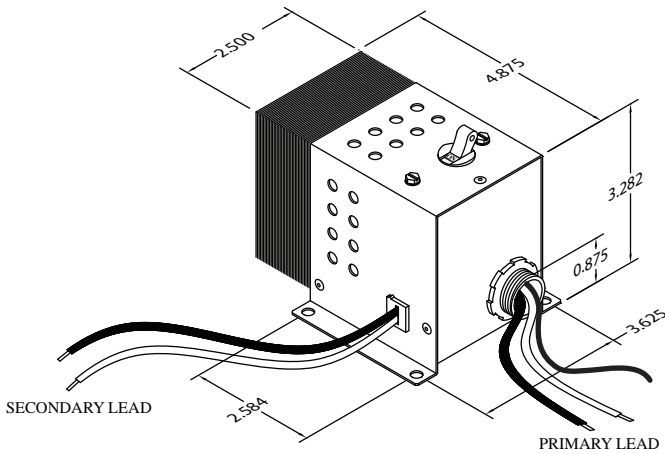
 **JUSTIN, INC.**

**ELECTRONIC PRODUCTS DIVISION**  
2663 No. Lee Avenue  
South El Monte, CA 91733  
626 444-4516 • Fax 626 444-9462  
[www.justininc.com](http://www.justininc.com)

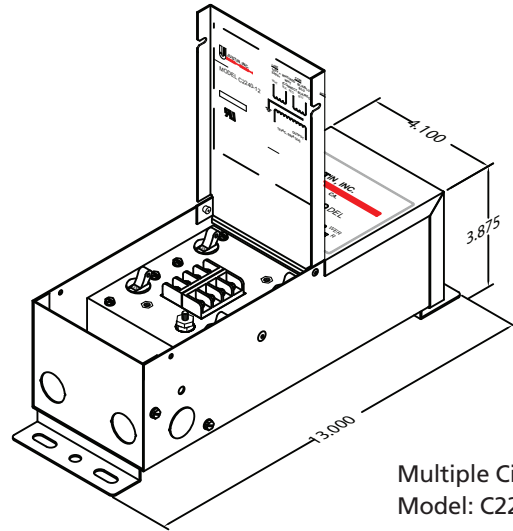
# CLASS 2 AC TRANSFORMERS

A Class two transformer may be connected to any resistive load at or below its maximum output rating. National Electrical Code requires any Class 2 circuit be limited to 60VA @ 12 volts or 100VA @ 24 volts, to a maximum of 250VA for multiple circuit units.

Examples of common uses include incandescent lamps, LED lamps, solenoid coil and bell ringing circuits. Made in U.S.A.



Single Circuit  
Model: 601-12



Multiple Circuit  
Model: C2240-12/24

## FEATURES

## ALL UNITS DIMMABLE

### AC Single Circuit Class 2 Transformers

- Manual Reset Overload Protection
- Mounting Brackets
- 1/2" input nipple located for direct "J" box entry
- UL Listed Class 2 Transformer (meets or exceeds the requirements set forth in Underwriters Laboratories Standard for safety UL1585)
- Available with Indoor/Outdoor Enclosure.

### AC Multiple Circuit Class 2 Power Units

- Manual Reset Overload Protection, one per Class 2 circuit
- Indoor/Outdoor enclosure, weather resistant, damp location, with wall mounts brackets.
- Wiring Compartment with optional 6' input cord and output terminals accessed by 1/2" electrical knockouts.
- UL Listed Class 2 Power Unit/Sign Component (meets or exceeds the requirements set forth in Underwriters Laboratories Standard for safety UL1585/UL1310.)

## SPECIFICATIONS AND ORDERING INFORMATION - SINGLE CIRCUIT

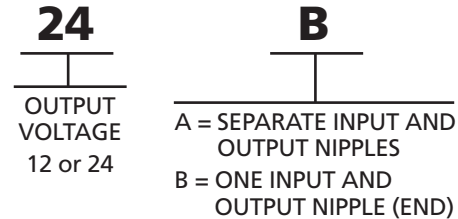
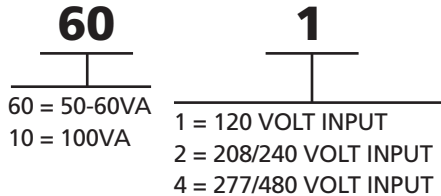
INPUT	OUTPUT	MAX RATED LOAD
120V, 60HZ	12 OR 24V	12V-60VA
208-240V, 60HZ		24V-60, 100VA
277-480V, 60HZ		

DIMENSIONS: HEIGHT 3.5  
WIDTH 5.25  
DEPTH 4

WEIGHT EACH: 3.2 LBS.

PACKAGE AND WEIGHT: 6 UNITS PER, 12 X 7.5 X 6, 19 LBS.

Example:



## SPECIFICATIONS AND ORDERING INFORMATION - MULTIPLE CIRCUIT

MODEL NUMBER	DESCRIPTION	DIMENSIONS & WEIGHT
C2240-12	120/240 to 12 VAC, 240 VA, 4 X 60 VA Class 2 Circuits	Height: 13
C2240-24	120/240 to 24 VAC, 216 VA, 3 X 72 VA Class 2 Circuits	Width: 4
C2240-12/277	277 to 12 VAC, 240 VA, 4 X 60 VA Class 2 Circuits	Depth: 4
C2240-24/277	277 to 24 VAC, 216 VA, 3 X 72 VA Class 2 Circuit	Weight Each: 13 lbs